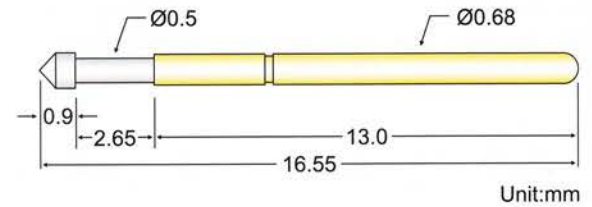
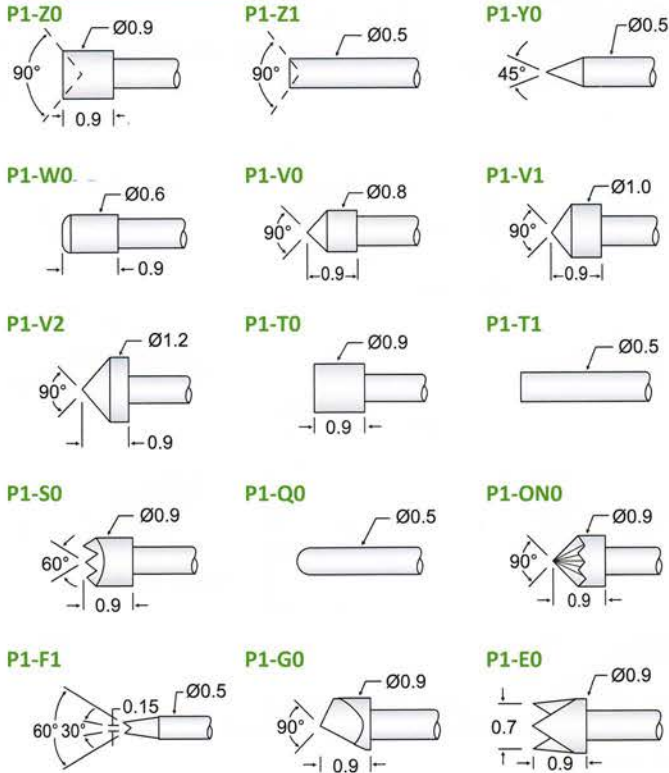


P1-SERIES

PLUNGER



MATERIAL

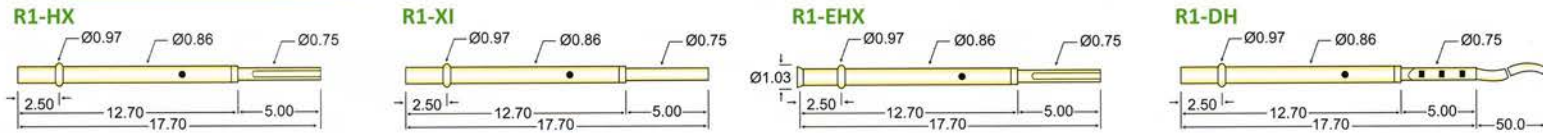
Plunger	: Full-hard Beryllium Copper, gold-plated over nickel
Barrel	: Brass, gold-plated
Spring	: Stainless steel
Receptacle	: Brass, gold-plated

TECHNICAL SPECIFICATION

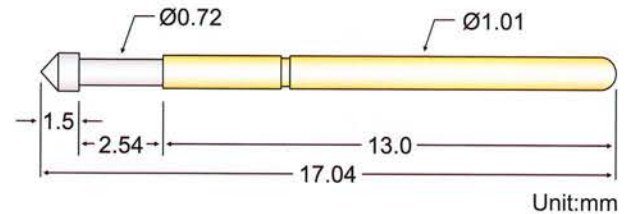
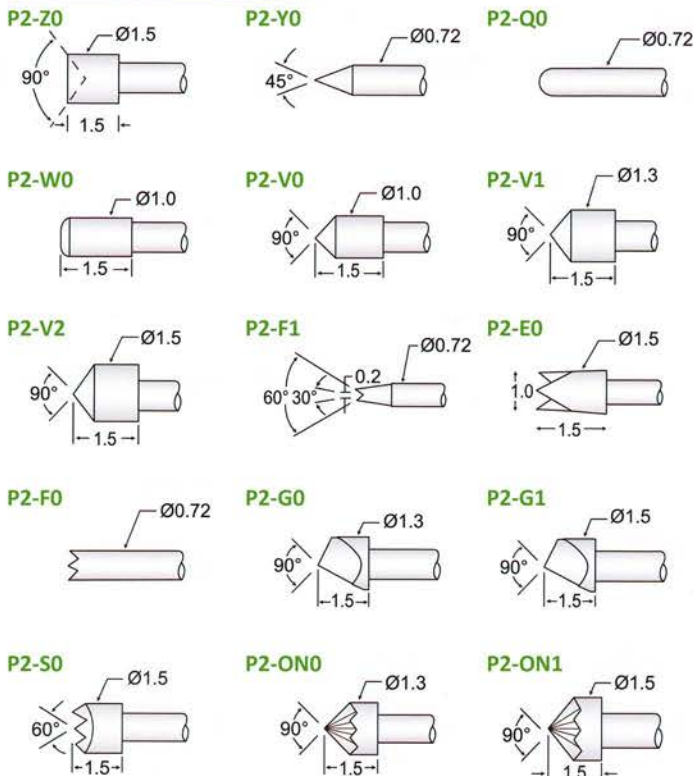
Recommend min. Center	: 1.27mm (50mil)
Full Travel	: 2.65mm
Spring Pressure (±20%)	: 80g
Current Rating	: 3A, continuous
Contact Resistance	: 50mΩ
Mounting Hole Size	: Ø0.9mm

* Specification subjects to change without notice

RECEPTACLE



PLUNGER



MATERIAL

Plunger	: Full-hard Beryllium Copper, gold-plated over nickel
Barrel	: Brass, gold-plated
Spring	: Stainless steel
Receptacle	: Brass, gold-plated

TECHNICAL SPECIFICATION

Recommend min. Center	: 1.90mm (75mil)
Full Travel	: 2.54mm
Spring Pressure (±20%)	: 128g
Current Rating	: 3A, continuous
Contact Resistance	: 50mΩ
Mounting Hole Size	: Ø1.35mm

* Specification subjects to change without notice

RECEPTACLE

